

IF IN DOUBT ASK
DO NOT SCALE

A

B

C

D

E

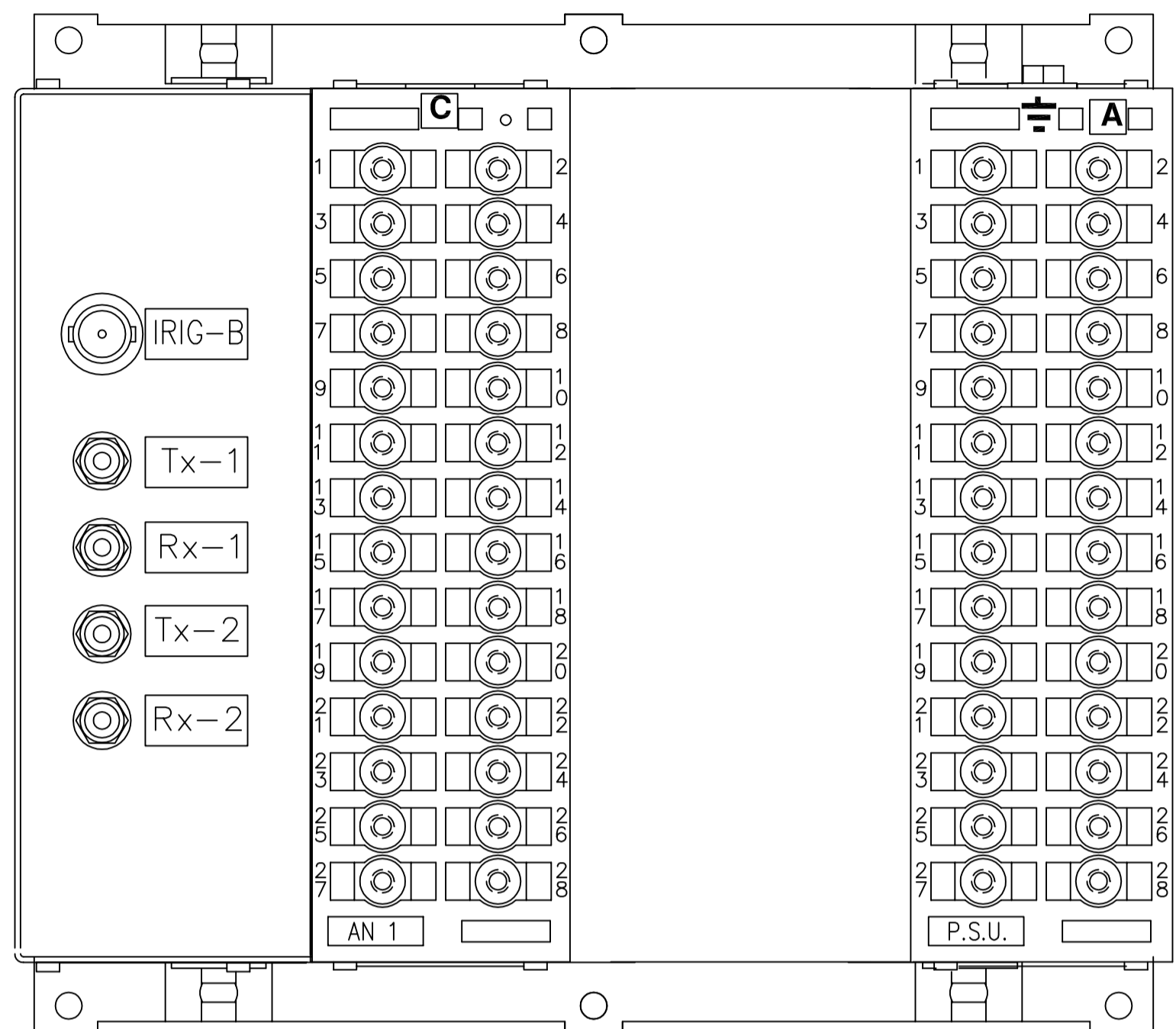
F

G

H

J

K



RELAY VIEWED FROM REAR

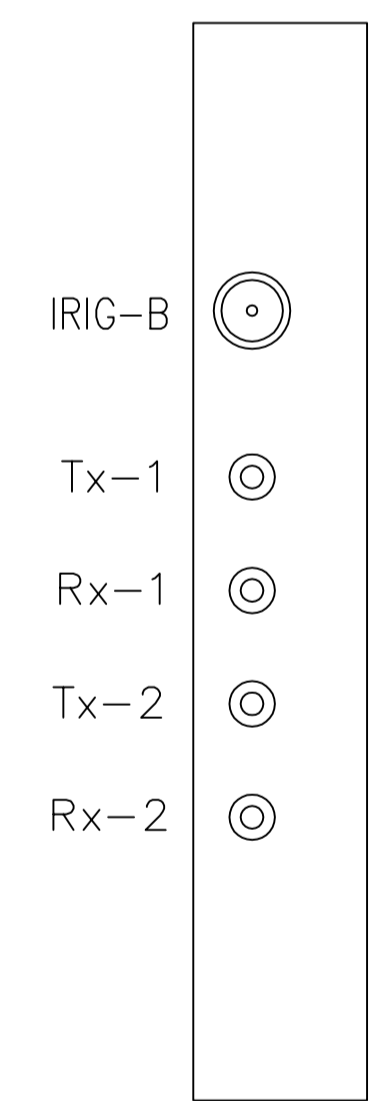
NOTES

- 1 TERMINALS RECOMMENDED ARE PRE INSULATED & MUST BE CRIMPED USING APPROVED TOOLING. AMP PIDG OR PLASTI GRIP FUNNEL ENTRY (RING TONGUE) FOR M4 FIXING STUD.

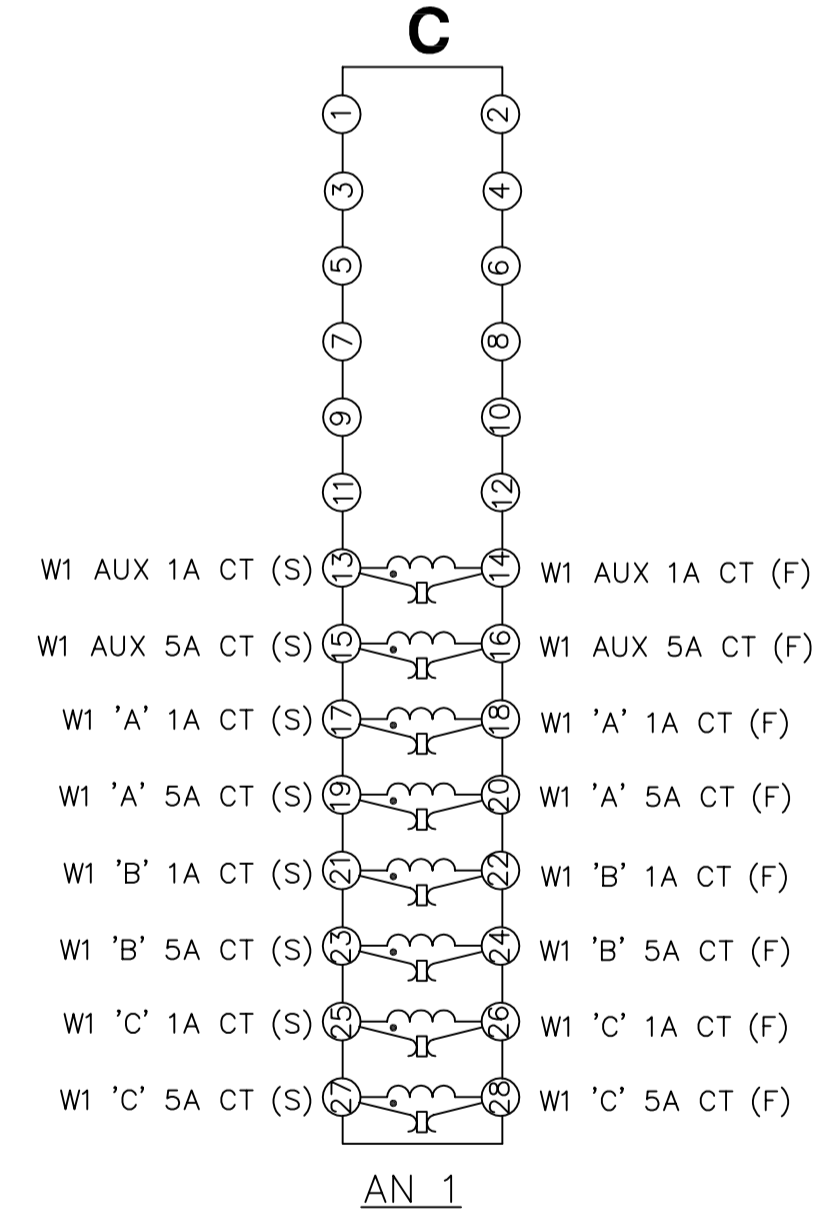
SUPPLIER	AMP	CABLE SIZE
AMP	342103	0.25-1.6 SQ MM
AMP	342143	1.0-2.6 SQ MM.

OR ANY OTHER MANUFACTURERS EQUIVALENT TERMINAL.

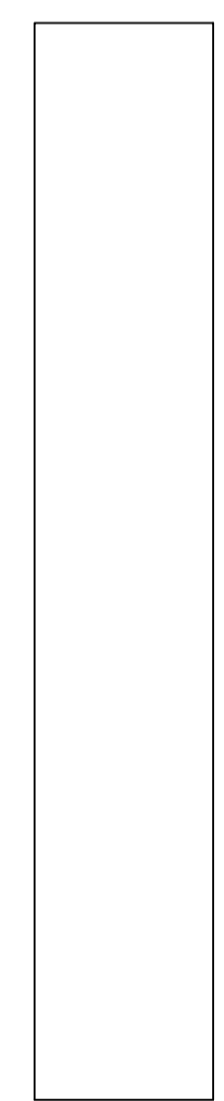
- 2 FOR OUTLINE & DRILLING DRG SEE 2995X10008 (A4).
- 3 IRIG-B & FIBRE OPTIC CONNECTORS MUST BE DISCONNECTED & FIXING NUTS REMOVED BEFORE WITHDRAWING CONTROLLER MODULE.



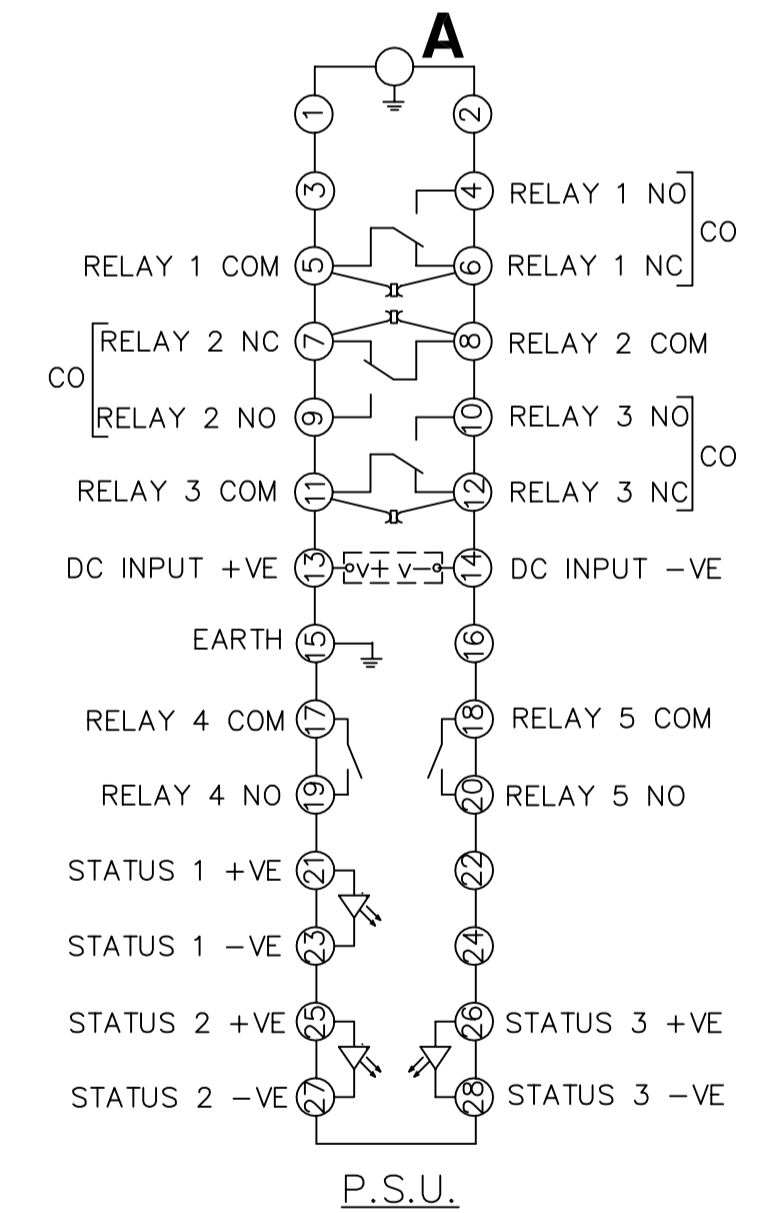
Controller Module
(SEE NOTE 3)



AN 1



BLANK



P.S.U.

MODULE LABEL KEY	
ANALOGUE MODULE	AN 1 etc
INPUT/OUTPUT MODULE	I/O 1 etc
P.S.U. & BASIC I/O MODULE	P.S.U.

ABBREVIATIONS	
CT	-CURRENT INPUTS
VT	-VOLTAGE INPUTS
SI	-STATUS INPUTS
CO	-CHANGE OVER OUTPUT CONTACTS
NO	-NORMALLY OPEN OUTPUT CONTACTS
NC	-NORMALLY CLOSED OUTPUT CONTACTS

**NOT SUBJECT TO UPDATE
ONCE COPIED / PRINTED
OR DOWNLOADED**

2 ROW	20/08/04	TITLE MODIFIED ONLY
1	09/07/04	CHANGE
ISSUE	DATE	NOTED

MATERIAL:
Dimensions in millimetres ; Surface texture in micrometres.
Machine where marked ✓
For explanation of dimensions, tolerances, notes etc. see B.S.308.
Limit on untoleranced unmachined dimensions ±
Limits on untoleranced machined dimensions to B.S.4500;
i.e. up to 6±0.1; over 30 to 120±0.3; over 315±0.8;
over 6 to 30±0.2; over 120 to 315±0.5;
General unmachined angular tolerance ±

Finish:	Title:	First used on:
Treatment:	TERM IDENT & WIRING DIAGRAM FOR MODULAR II PRODUCT (4CT,3SI,3CO,2NO) E8 CASE	Similar Articles:
	VATECH REYROLLE AUTOMATION, CONTROL & PROTECTION	Supersedes:
	Original Scale: NTS	Drg. No. 2621W11008

Copyright © 2004 VATECH REYROLLE ACP Ltd. Hebburn

DRAWN RDW	CHECKED RDW	APPROVED RD.WATSON	DATE 09/07/04	IE	OPS	PCP	Purch.Spec. TQ	EAC	CE	STD	A1
-----------	-------------	--------------------	---------------	----	-----	-----	----------------	-----	----	-----	----